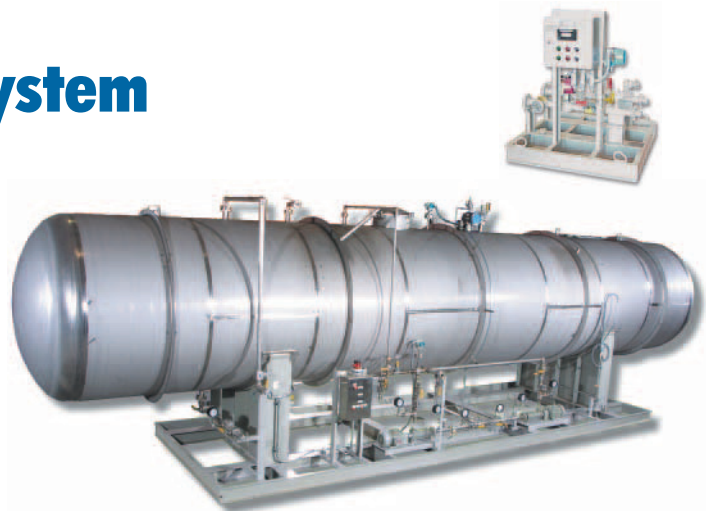




# Aqueous Ammonia Unloading Station & Storage/Forwarding System

Integrated Flow Solutions Aqueous Ammonia Unloading Station & Storage/Forwarding Systems are designed to unload 19% and 29% Aqueous Ammonia from transports into a modular Storage/Forwarding System which includes a storage tank, forwarding pump system, instrumentation and controls. The complete system is designed to minimize field assembly. The forwarding system is designed to transfer the Aqueous Ammonia to the Ammonia Flow Control Unit (AFCU).



## Industries



POWER



GENERAL



EMISSIONS

## Benefits

- Single Source Accountability
- Pre-Packaged Modular Design Costs Less Than Component Based Site-Built Systems Reducing Overall Project Cost
- Minimizes Field Erection Time - Shorter Overall Project Delivery Schedule
- Complete System Function Testing Prior To Shipment
- 24/7 Customer Service

## Industry Standards

- Vessels Code Stamped ASME Section VIII & National Board Registered
- Piping Designed to ANSI B31.1/ANSI B31.3
- Pipe Fabrication to ASME Section IX
- Structural Steel Assembly Designed to AWS D1.1
- Complete System Designed to API RP 550

## Standard Features

- INTEGRASAFE™ Unloading Station
  - Local Indication of:
    - Tank Level
    - Flow Indication
  - Local Manual/Automated Valve Operation

## Standard Features (Continued)

- Storage/Forwarding System
  - Vessel Storage Up to 30,000 Gallons
  - Vessel Material Options:
    - Carbon Steel or 304L
  - Heavy Duty Forwarding Pumps to Meet Any Hydraulic or NPSHA Condition
    - Centrifugal/Gear/Regen Turbine/Mag Drive & Canned Motor
  - Locally Mounted Control Panel
- Complete Factory Function Test

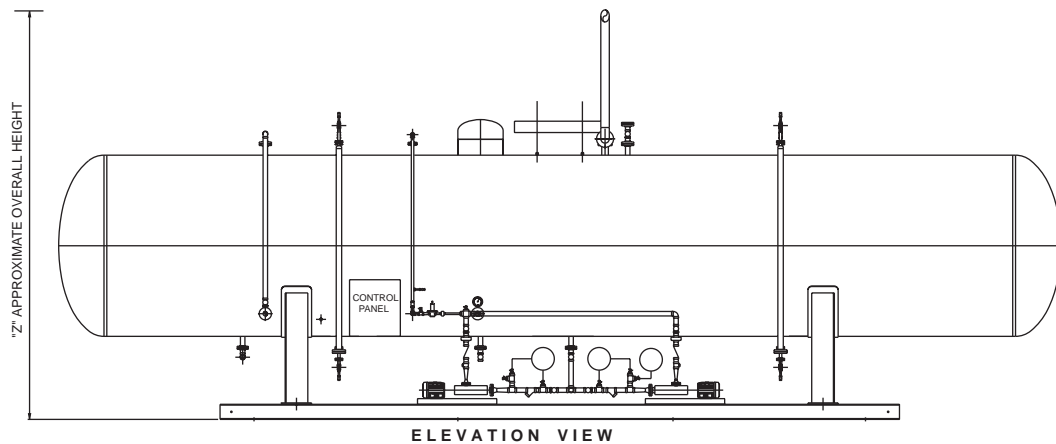
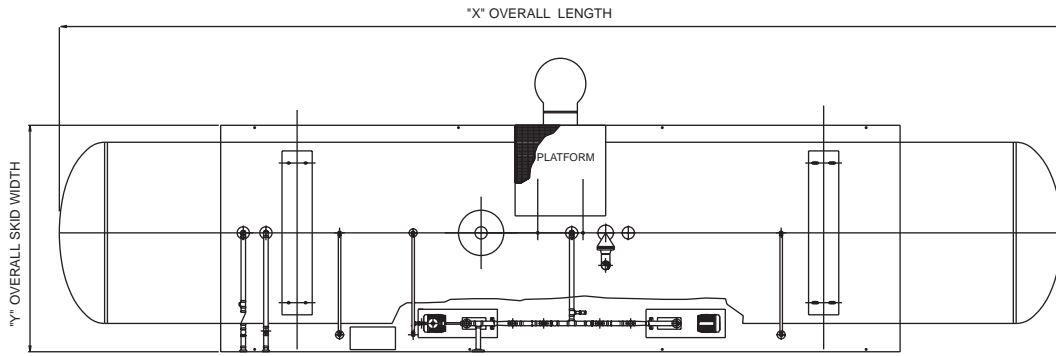
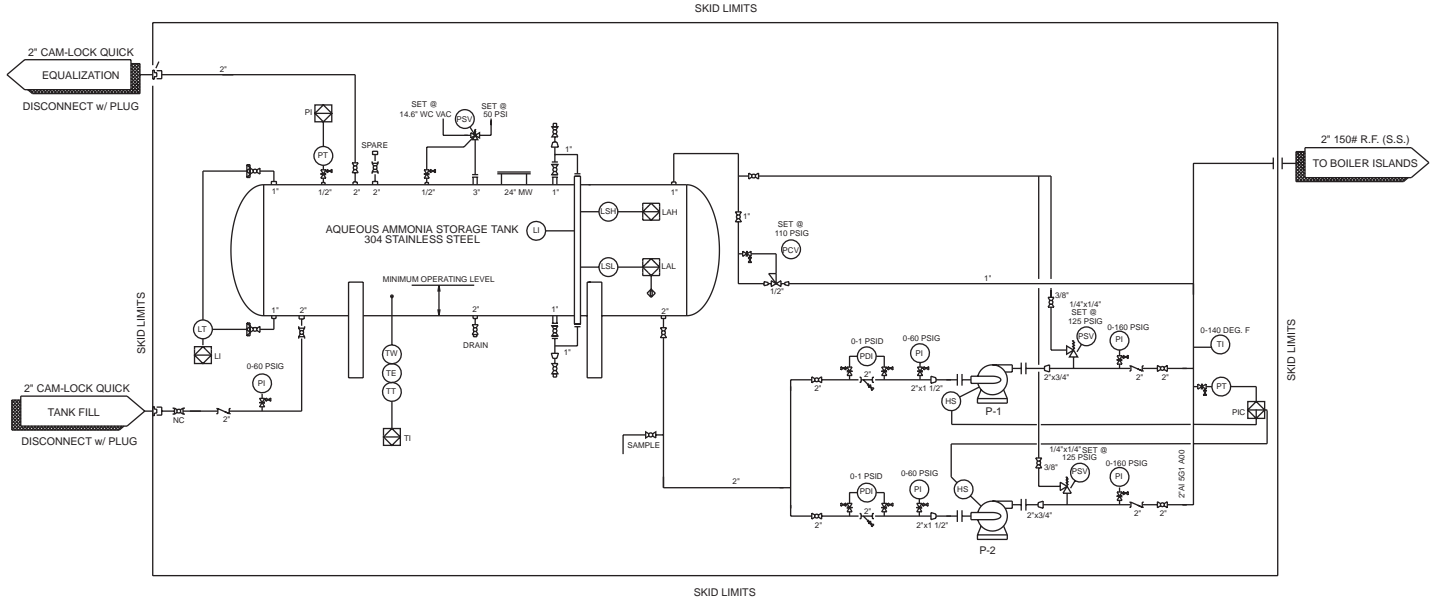
## Optional Features

- Separate Skid Mounted Pump Forwarding System
- Unloading Breakaway Couplings
- PLC Based and Full VFD Control Panel per NEC & NFPA
- UL or CSA Listed Control Panel Assembly
- Complete Factory Performance Test
- Class 1, Div. 2 Hazardous Locations
- Compliance with Plant/Engineering Specifications

## Additional Services

- "Aspen Plus" Process Simulation Software Used To Guarantee Process Conditions
- Installation/Training/Start-Up Supervision
- Extended Warranty
- Nationwide Service Network

# Aqueous Ammonia Unloading Station & Storage/Forwarding System



WORKING VOLUME - GALLONS	LENGTH - X	WIDTH - Y	HEIGHT - Z	WEIGHT - LBS.
6,000	20'	11'	14'	15,000
10,000	34'	11'	14'	25,000
14,000	50'	11'	14'	35,000
18,000	60'	11'	14'	45,000
22,000	75'	12'	16'	55,000