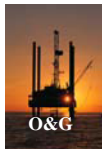




Gas Pressure Reduction Station

Integrated Flow Solutions Gas Pressure Reduction Stations are pre-designed, packaged and fully tested for a wide range of pipeline applications. The complete system includes a process simulation using Aspen Plus® and Aspen Dynamics®, local control panel, instruments, tubing, valves, fast acting and motor actuators, and filtration integrated on skid.

Industries



Benefits:

- Single Source Accountability
- Pre-Packaged Modular Design Costs Less than component based site built which reduces overall project cost
- Minimizes field erection time – shorter overall project delivery schedule
- Complete system function testing prior to shipment
- 24/7 Customer service (800-527-8724)

Industry Standards

- Local Control Panel designed to NEC, CSA, or IEC
- Piping/tubing designed to ANSI B31.3/ANSI B31.8
- Structural Steel Assembly Designed to AWS D1.1

Standard Features:

- Reduced Port
- Sized for 80 PSI Instrument Air Supply
- Plated Trim Materials
- Carbon Steel Materials
- Fire Safe
- Open Beam Skid
- Dual Scale Liquid Filled Pressure Gauges

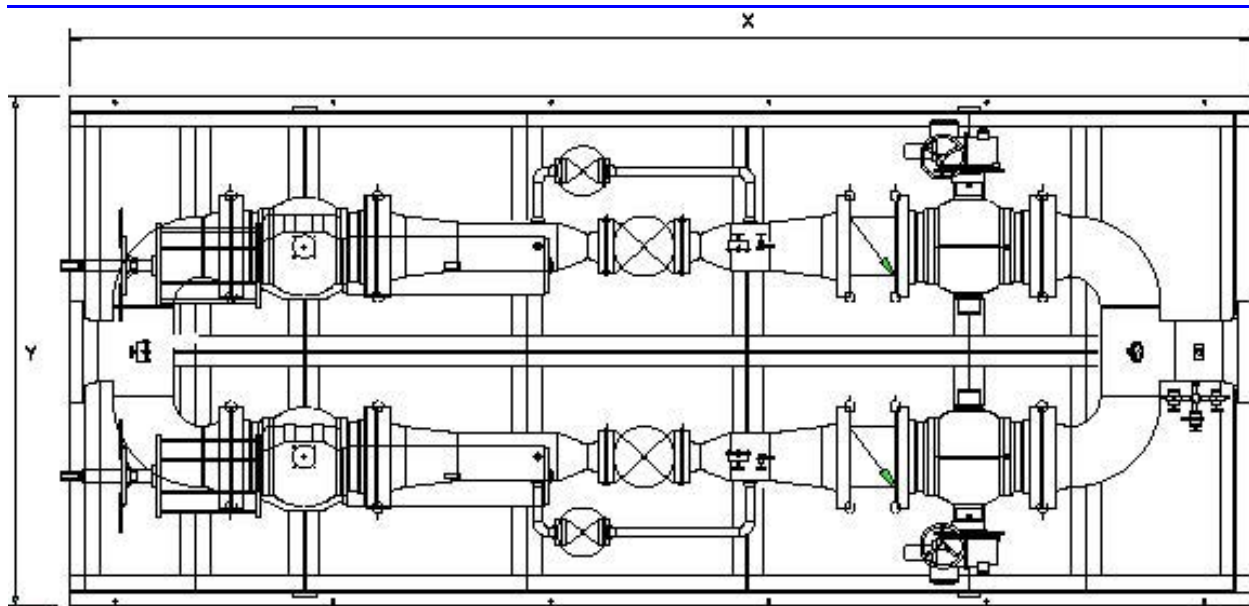
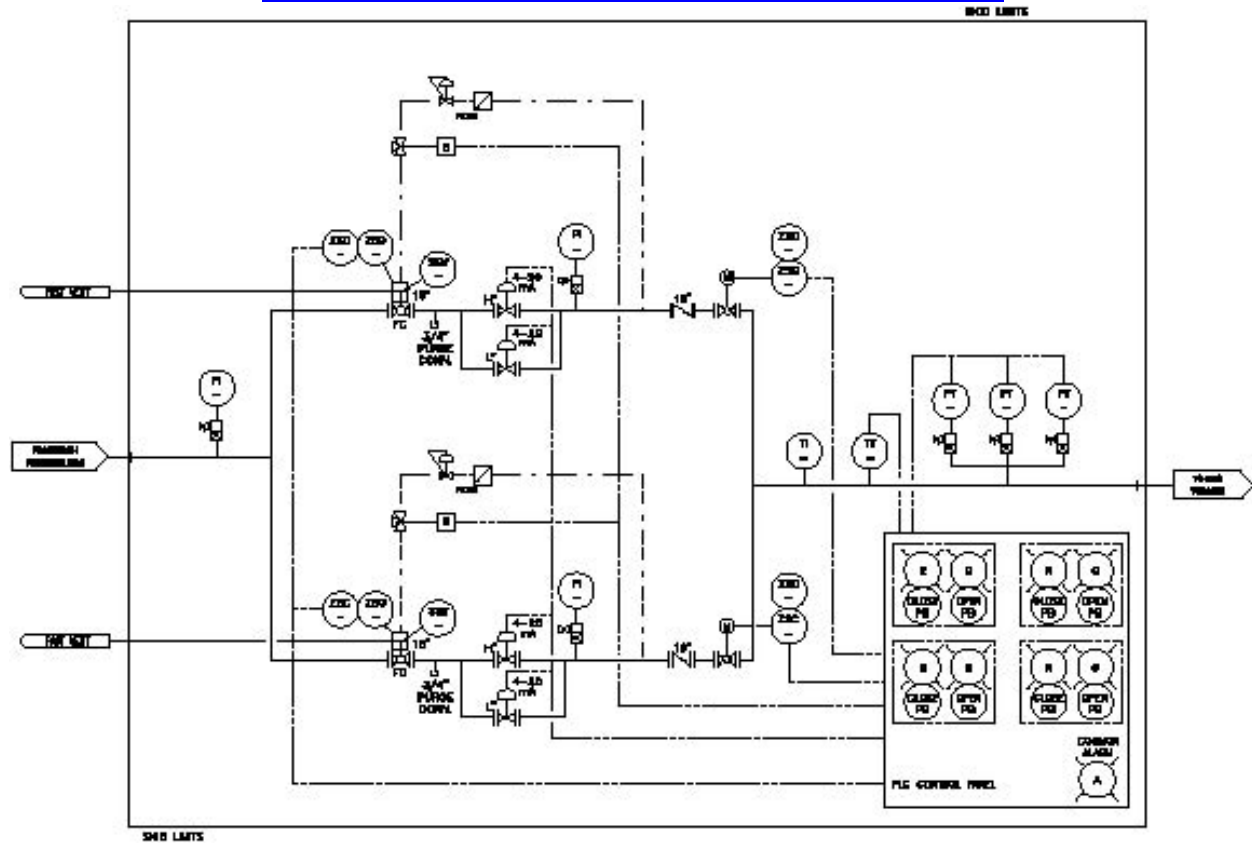
Optional Features:

- Full Port
- Sized for 60 PSI Instrument Air Supply
- Actuators designed for Instrument Gas Supply
- Hot Backup Redundant Control
- 316 SS Trim Materials
- 350-LF2 Materials
- High Temperature Seats
- Low Temperature Seats
- Discharge Pressure Instrumentation
- Oversized Skid
- Skid Drain Pan
- Custom Skid Decking
- Custom Paint
- 4-20 mA Feedback
- Manual Override System
 - Jack Screw Type
 - De-Clutchable Type

Additional Services:

- Installation / Training / Start – Up Supervision
- Extended warranty
- Worldwide Service Network
- Customized Systems

Gas Pressure Reduction Station



PLAN VIEW

| MODEL NUMBER | LINE SIZE | ANSI CLASS | LENGTH - X | WIDTH - Y | HEIGHT - Z | WEIGHT Lbs(kg) |
|--------------|-----------|---------------|------------|-----------|------------|-------------------|
| GPRS1-08 | 8" | 600 # / 300 # | 20'-0" | 4'-0" | 5'-0" | 7,200(3,265) |
| GPRS1-10 | 10" | 600 # / 300 # | 22'-6" | 4'-6" | 5'-6" | 8,750(3,970) |
| GPRS1-12 | 12" | 600 # / 300 # | 25'-6" | 5'-0" | 6'-0" | 10,000(4,536) |
| GPRS1-14 | 14" | 600 # / 300 # | 26'-0" | 5'-6" | 6'-6" | 11,500(5,216) |
| GPRS1-16 | 16" | 600 # / 300 # | 26'-6" | 6'-0" | 7'-0" | 12,500(5,670) |