



## Medium Pressure Packaged Pump System

Integrated Flow Solutions Medium Pressure Pumping Systems are designed to transfer various industrial liquids (water, hydrocarbon, chemicals, etc.) from one location to another. The complete system includes multiple horizontal multistage centrifugal pumps, electric motors, suction/discharge piping, valving, instrumentation, controls and is designed to minimize field assembly.



### Industries



POWER



OIL & GAS



GENERAL

### Benefits

- Single Source Accountability
- Pre-Packaged Modular Design Costs Less Than Component Based Site-Built Systems Reducing Overall Project Cost
- Minimizes Field Erection Time - Shorter Overall Project Delivery Schedule
- Complete System Function Testing Prior To Shipment
- 24/7 Customer Service

### Industry Standards

- Vessels Code Stamped ASME Section VIII & National Board Registered
- Piping Designed to ANSI B31.1/ANSI B31.3
- Pipe Fabrication to ASME Section IX
- Structural Steel Assembly Designed to AWS D1.1

### Standard Features

- API 610 Horizontal Multistage Centrifugal Pumps
- Sleeve/Ball Pump Bearing System/Sleeve Motor Bearing System - Ring Oil Lube
- Pump Materials from Carbon Steel to Duplex Stainless Steel
- WP-II, TEFC, TEAAC or XP Electric Motor Enclosure
- Duplex Pump Configuration Providing 100% Stand-By

### Standard Features (Continued)

- Motor Voltage - 2300 Volt or 4160 Volt
- Full Pump/Motor Instrumentation Including Vibration, Temperature, Flow & Pressure Monitoring
- Rigid Structural Steel Base with Curbed Perimeter & Drain to Minimize Environmental Impact
- Hydrotesting of All Piping
- High Quality Industrial Coating System

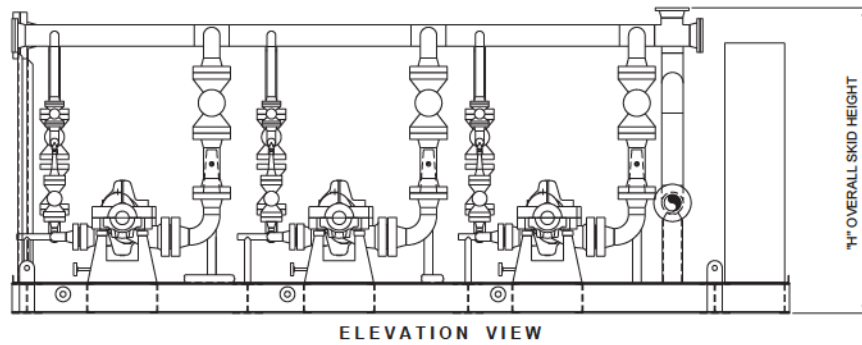
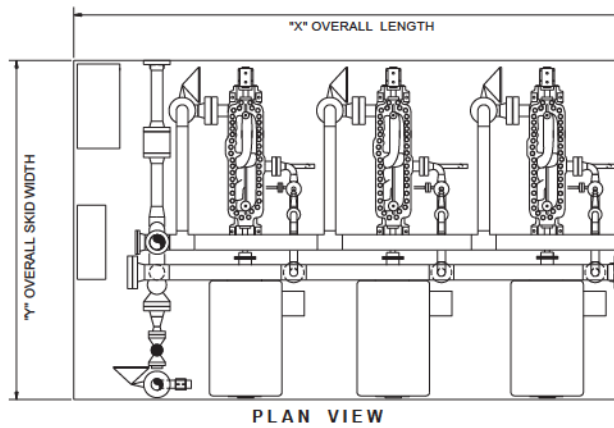
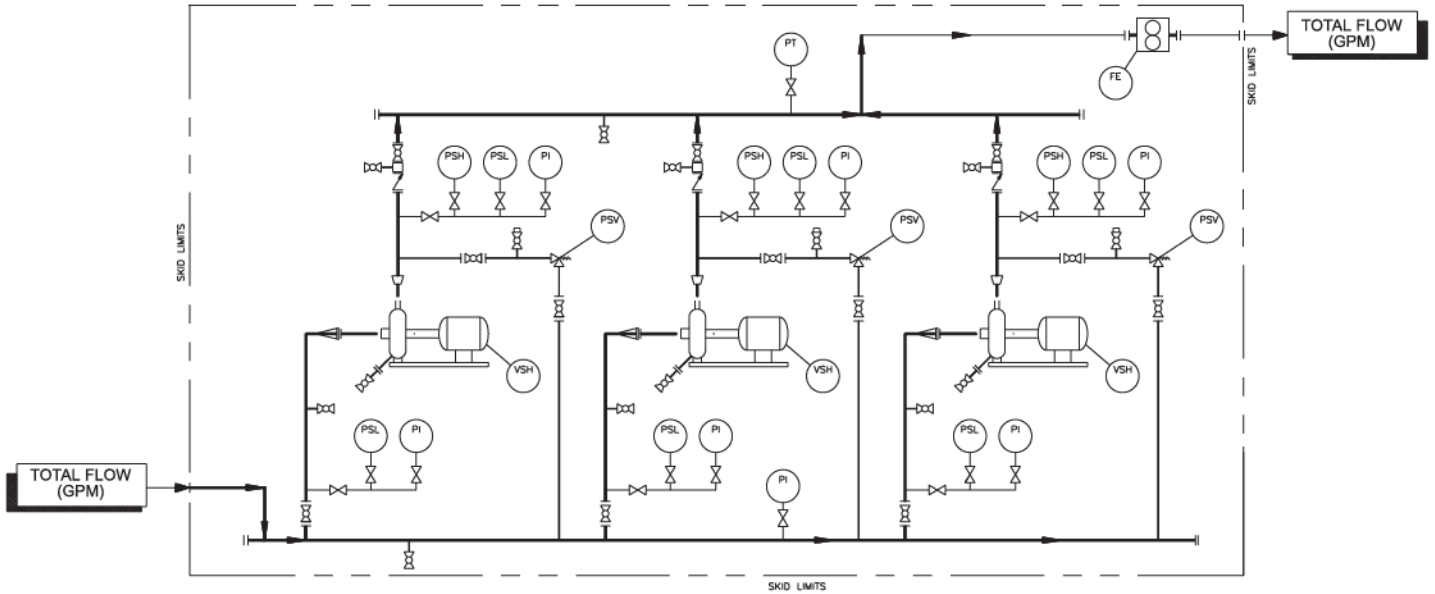
### Optional Features

- Simplex & Triplex Pump Configurations
- All NEMA or IEC Rated Enclosures and Components for Class 1, Div. 1 or Div. 2 Electrical Areas
- Panelview Operator Interface
- Microprocessor Controller with INTEGRAFLOW™ Control Software to Monitor Critical Functions & Provide Complete System Control
- Complete String Test of Package

### Additional Services

- Nationwide Service Network
- Installation & Supervision
- Turn-Key Projects
- Equipment Leasing Program
- Extended Equipment Warranties

# Medium Pressure Package Pump System



TOTAL FLOW (GPM)	PRESSURE (PSI)	LENGTH - "X" (FEET)	WIDTH - "Y" (FEET)	HEIGHT - "Z" (FEET)	WEIGHT (LBS)
1,000	500	20	16	14	15,000
1,000	1,000	34	16	14	25,000
1,000	1,500	30	16	14	35,000
2,000	1,500	60	16	14	45,000
3,000	1,500	75	16	16	55,000