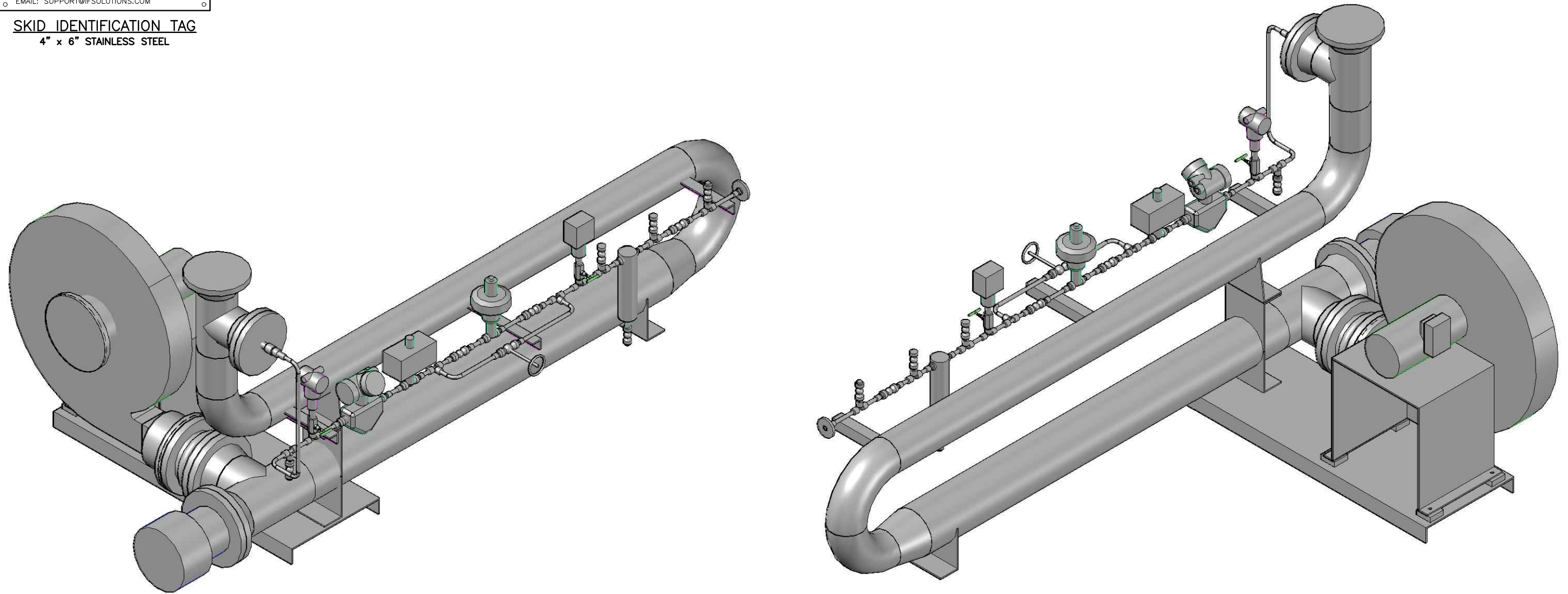


TAG: -  
 DESCRIPTION: -  
 CUSTOMER: -  
 USER: -  
 PROJECT: -  
 CUST. PO: -  
 IFS JOB: - YEAR: 201\_  
 INTEGRATED FLOW SOLUTIONS, TYLER, TX, USA  
 PH.: 001-903-595-6511  
 EMAIL: SUPPORT@IFSOLUTIONS.COM

**SKID IDENTIFICATION TAG**  
 4" x 6" STAINLESS STEEL



ISO VIEWS  
 (FOR REFERENCE ONLY)



**INTEGRATED  
 FLOW SOLUTIONS**

6461 REYNOLDS RD, TYLER, TEXAS, USA 75708  
 PHONE NUMBER: +1 (903) 595-6511  
 EMAIL: SUPPORT@IFSOLUTIONS.COM

THIS DRAWING IS THE PROPERTY OF INTEGRATED FLOW SOLUTIONS AND SHALL NOT BE REPRODUCED, COPIED, LENT, NOR USED FOR ANY PURPOSE OTHER THAN THAT WHICH IT IS FURNISHED EXCEPT BY WRITTEN PERMISSION.

REV.	DATE	DESCRIPTION	DES	ENG
A	WIP	ISSUED FOR CUSTOMER APPROVAL	-D-	-E-

PROJECT:  
 CUSTOMER NAME:  
 END USER:  
 SYSTEM DESCRIPTION:  
 TAG NUMBER:  
 CUSTOMER PO#:  
 ESTIMATED DRY WEIGHT: TBD  
 ESTIMATED OPERATING WEIGHT: TBD

**GENERAL ARRANGEMENT**

CLIENT No.: ####					
SCALE: NONE	SECTION	JOB	SHEET	TOTAL SHEETS	REV.
PM.: PM	G - 2XXXX - 03			-	A