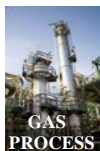


Modular Process Solution Packages

Integrated Flow Solutions Modular Process Solution Packages are designed to provide customers modular process solutions by optimizing the customer's process design utilizing Aspen HYSIS process simulation software. The Process Solutions Packages are designed to be truck able modules for ease in transportation worldwide and minimum site installation time.

- Pipe Fab to ASME Section IX

Industries



Applications for IFS Modular Process Solution Packages

- Natural Gas Processing
 - Fuel Gas Conditioning Package
 - H2S, N2 and CO2 Removal Packages
 - BTU Reduction Packages
 - Hot Oil Packages
- LNG Processing
 - Ethane Chiller Package
 - Refrigeration Package
 - Ethane Heating Package
- Oil & Gas Production
 - Wellhead Stream Treatment Package

Features of IFS Modular Process Solution Packages

- Aspen HYSIS Process Simulation & PFD Generation
 - Maximum safety optimization
- Process Guarantee
- Modular Designs
- 24/7 USA Customer service (800-527-8724)

Industry Standards

- Piping Designed to ASME B31.1 / B31.3



Benefits of IFS Modular Process Solution Packages:

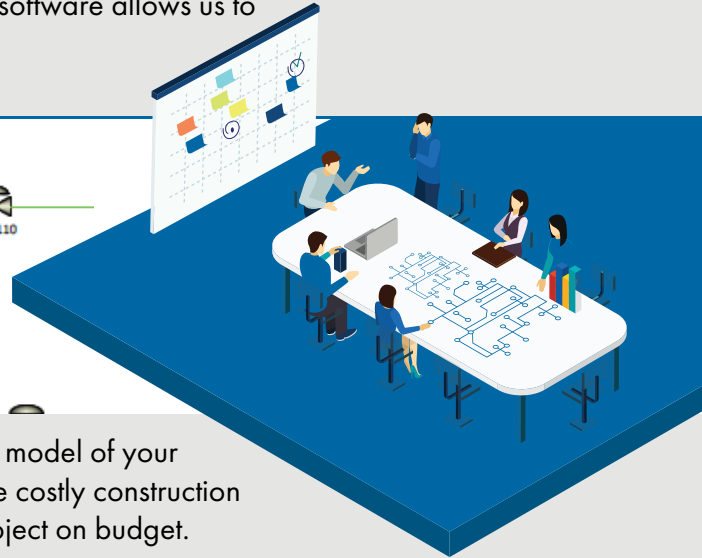
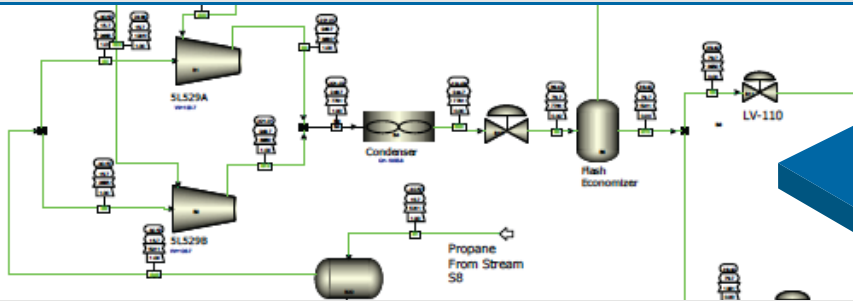
- Single Source Accountability
 - Process Guarantee
 - Mechanical Guarantee
- Small footprint, easily transportable
- Modular design minimizes installation errors and cost
- Fully installed & tested control systems
- All electrical panels designed & built in-house



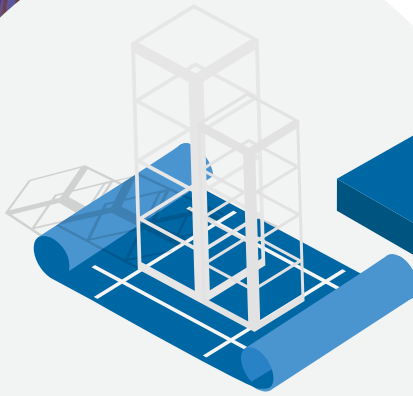
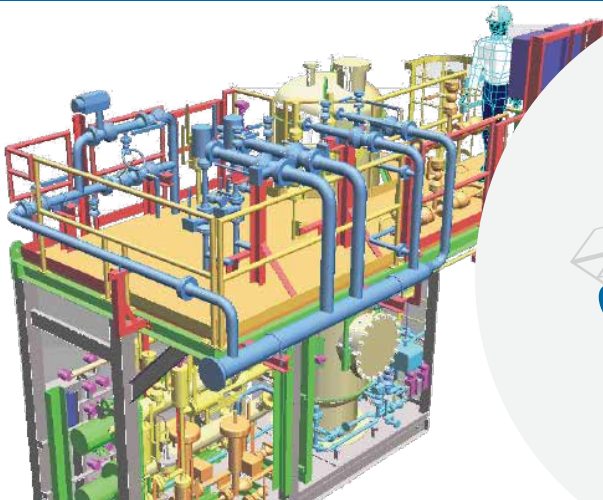


Process Solutions

1 We begin your project by utilizing Aspen HYSYS workflow-oriented process simulation software. This software allows us to optimize conceptual designs and operations.



2 In the next step, we use AutoCAD to design a 3D model of your modular process solution package. This helps reduce costly construction errors, produce results faster, and complete your project on budget.



3 Once the Autocad design is complete and customer approved, IFS fabricates the packaged process module. IFS's Tyler, Texas facility contains 125,000 square feet under roof, on 7 acres, with over 100 full time employees, (18) overhead cranes. IFS is ISO 9001 certified





Process Solutions

4

The assembled package is subjected to a rigorous FAT (Factory Acceptance Test) at the IFS manufacturing facility witnessed by the customer to insure specification compliance and rapid start up.



5

The final step is to transport your completed packaged process module.



6

IFS Field Service Personnel are available to commission, start up, and train.

