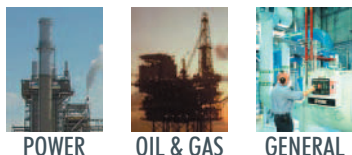


Custom Chemical Injection System

Integrated Flow Solutions Custom Chemical Injection Systems are designed to safely store and inject various chemicals into process flow lines. The chemicals are stored in skid mounted single or multi-compartment tanks. The chemicals gravity flow into the metering pumps which elevate the pressure to meet the process requirements. The complete system is designed to minimize field assembly.



Industries



POWER

OIL & GAS

GENERAL

Benefits

- Single Source Accountability
- Pre-Packaged Modular Design Costs Less Than Component Based Site-Built Systems Reducing Overall Project Cost
- Minimizes Field Erection Time - Shorter Overall Project Delivery Schedule
- Complete System Function Testing Prior To Shipment
- 24/7 Customer Service

Industry Standards

- Vessels Code Stamped ASME Section VIII & National Board Registered
- Piping Designed to ANSI B31.1/ANSI B31.3
- Pipe Fabrication to ASME Section IX
- Structural Steel Assembly Designed to AWS D1.1

Standard Features

- Multi-Point Injection of Chemicals by:
 - Individual Metering Pumps
 - Multi-Headed Metering Pumps
 - Injection Rate Control Device (IRCD) with Metering Pump or Fixed Stroke Pump
- Heavy Duty API 675 Metering Pumps & API 674 Reciprocating Pumps with
 - Packed Plunger Fluid End
 - Single Diaphragm Fluid End
 - Double Diaphragm Fluid End

Standard Features (Continued)

- Electric Motor or Gas/Air Driven Pumps
- Materials of Construction:
 - Carbon Steel
 - 316SS
 - Alloy 20
 - Non-Metallic (PVC, Fiberglass)
- Complete Factor Function Test

Optional Features

- Rack Mounted Bulkhead Controls for Ease in Operator Interface



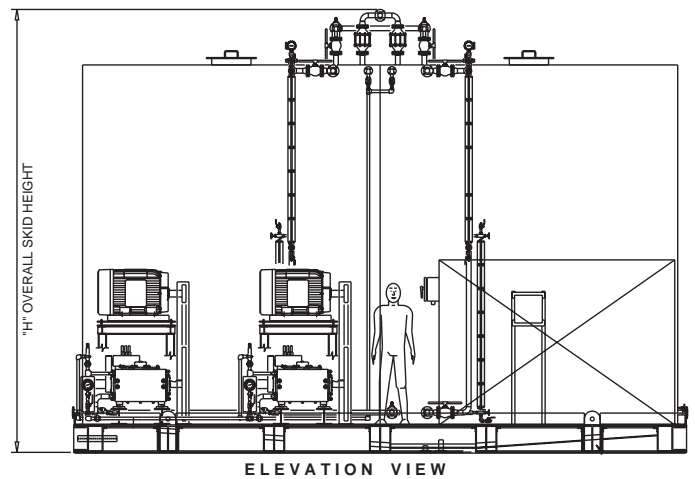
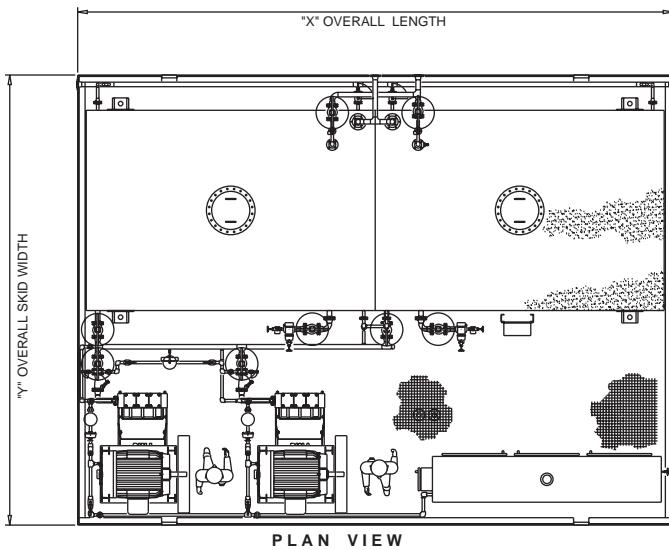
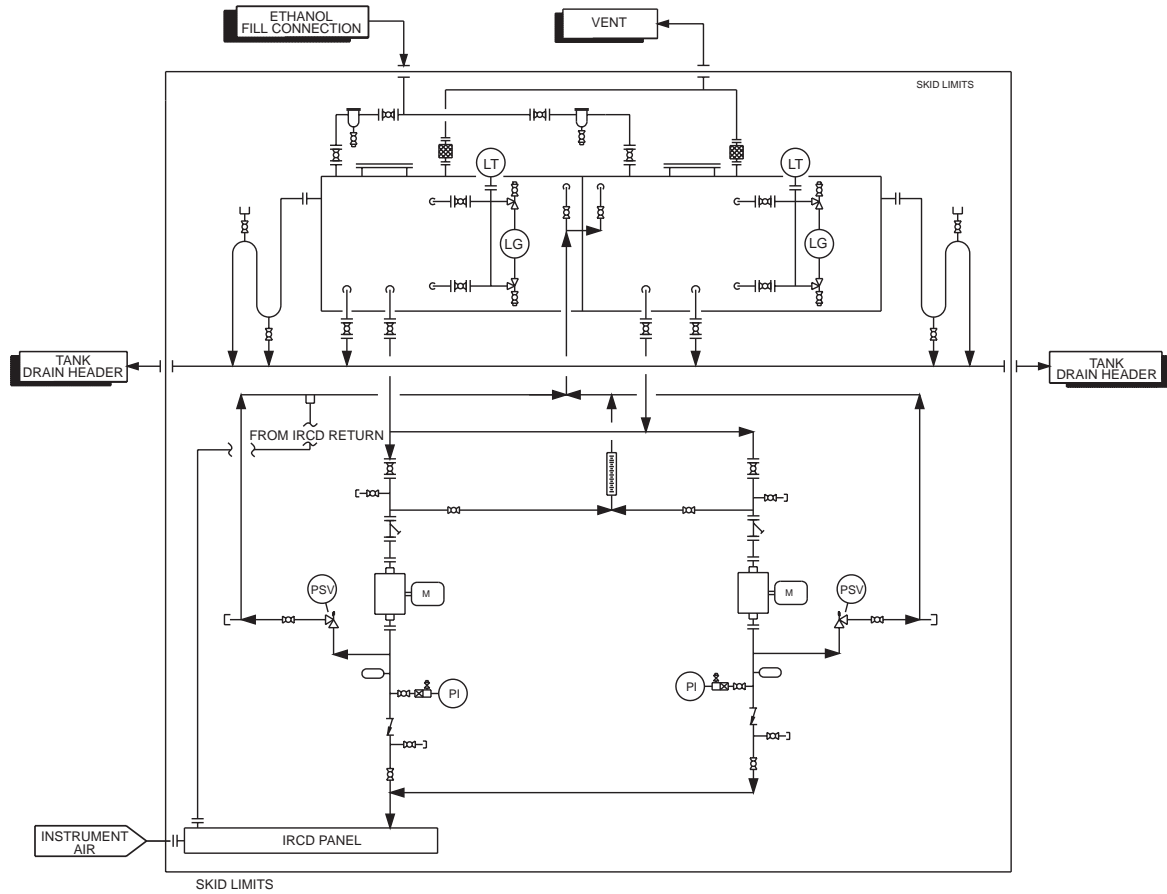
Injection Rate Control Panel

- Double Diaphragm Fluid End Leak Detection
- PLC Control System with Data Highway
- IEC/UL/CSA Listed Control Panel Assembly
- Class 1, Div. 2 Hazardous Locations
- Complete Factory Performance Test
- Third Party Inspection by ABS, Lloyd's and DNV
- Structural Analysis

Additional Services

- Installation/Training/Start-Up Supervision
- Extended Warranty
- Nationwide Service Network

Custom Chemical Injection System



CHEMICAL STORAGE* (GALLONS)	LENGTH - X	WIDTH - Y	HEIGHT - Z	DRY WEIGHT (LBS.)	OPERATING WEIGHT (LBS.)
2,000	5'	11'	10'	15,000	22,700
4,000	10'	11'	10'	25,000	45,000
6,000	15'	11'	10'	35,000	68,000
8,000	20'	11'	10'	45,000	91,500
10,000	25'	12'	10'	55,000	113,500

* For multicompartmant tanks, use total chemical volume.